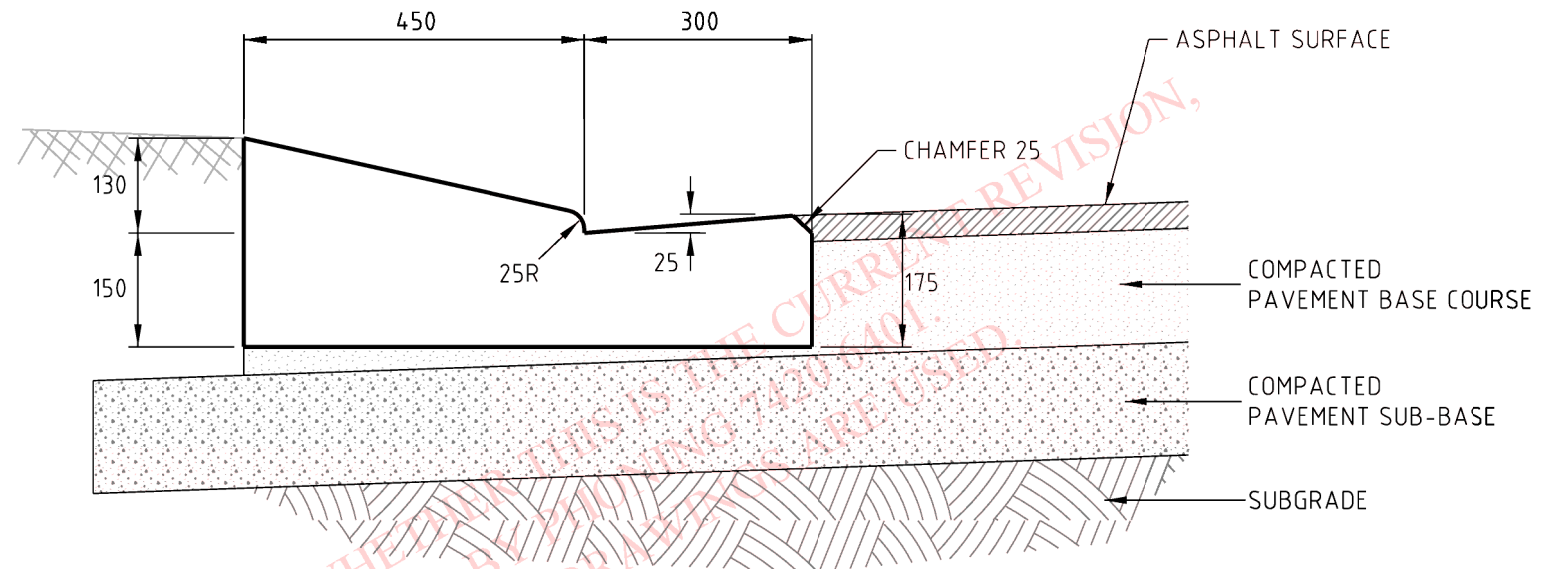
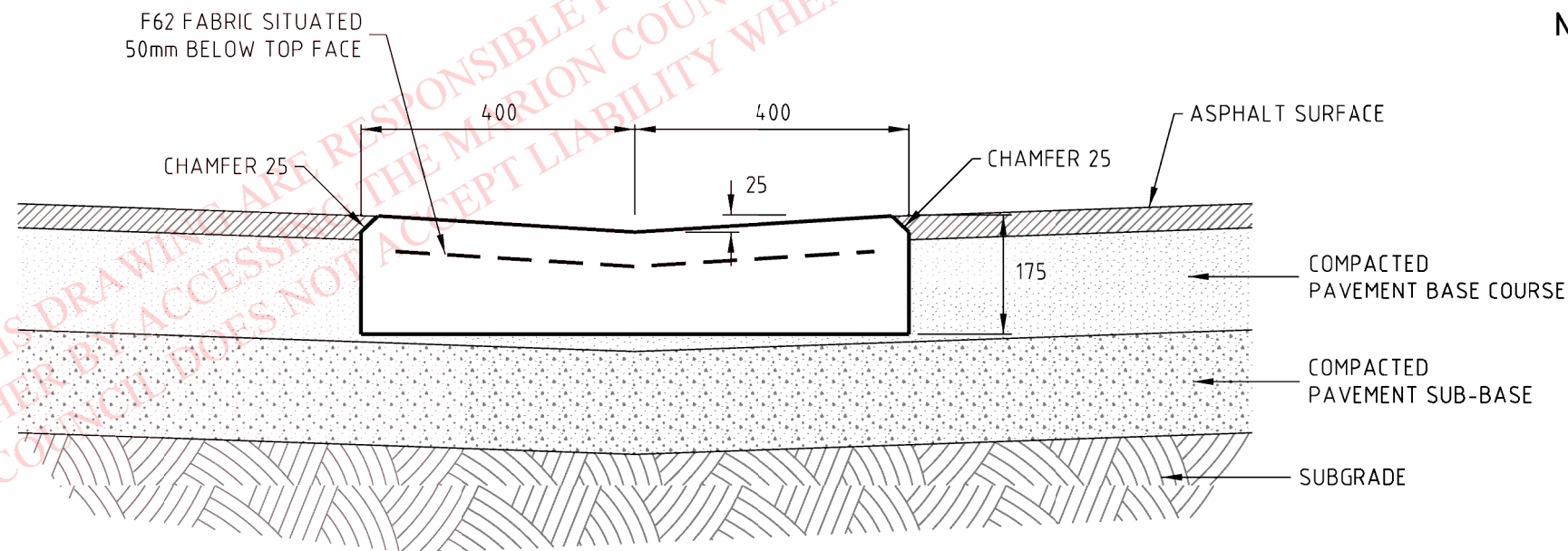


BARRIER KERB & CHANNEL SECTION
Not to Scale



TYPICAL DRIVEWAY INVERT SECTION
Not to Scale



TYPICAL SPOON DRAIN SECTION
Not to Scale

NOTES:

1. CONCRETE TO BE 25 MPa STRENGTH WITH 14mm AGGREGATE.
2. SHRINKAGE CONTROL JOINTS SHALL BE FORMED AT SPACINGS OF 2.5 - 3.0m.

ALL DIMENSIONS ARE IN MILLIMETRES UNLESS OTHERWISE SHOWN



CITY OF
MARION

THE CORPORATION OF THE CITY OF MARION

STANDARD DETAILS FOR
BARRIER KERB & CHANNEL, DRIVEWAY INVERT AND SPOON DRAIN

Drawn : A.M.D

Date : 31 JUNE 2007

Approved :

Last Revised : 1 FEB 2017

Ref. No. : SD-01