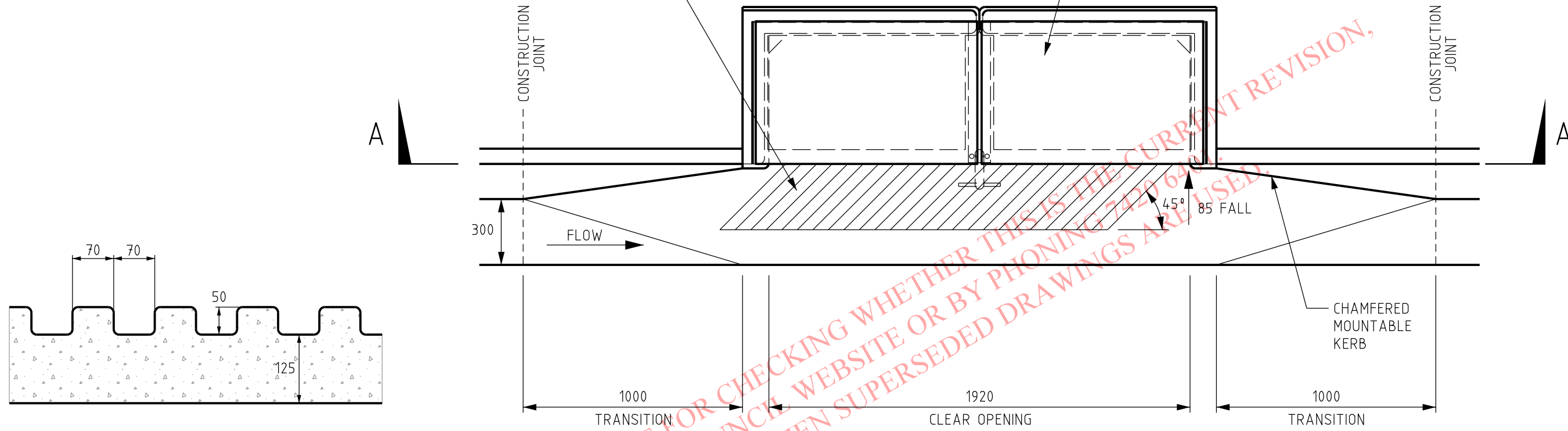


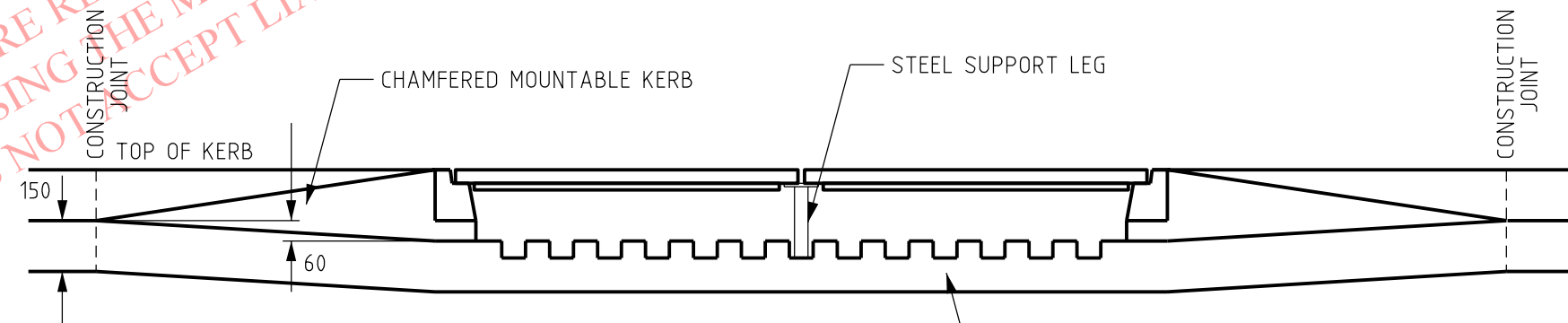
TAPERED DEPTH DEFLECTOR VANES.
(DEPTH OF VANES MEASURING 50mm
AT THE LINTEL FACE, TAPERING TO
0mm AT A 300mm OFFSET.)

2 No. 900 x 600 GALVANISED FRAME CONCRETE COVERS



DEFLECTOR VANE DETAIL

PLAN



SECTION A-A

Not to Scale

NOTE:

1. CONCRETE TO BE A MINIMUM STRENGTH OF 25 MPa WITH 14mm AGGREGATE.

PERSONS USING THIS DRAWING ARE RESPONSIBLE FOR CHECKING WHETHER THIS IS THE CURRENT REVISION, EITHER BY ACCESSING THE MARION COUNCIL WEBSITE OR BY PHONING 7429 6400. THE COUNCIL DOES NOT ACCEPT LIABILITY WHEN SUPERSEDED DRAWINGS ARE USED.



THE CORPORATION OF THE CITY OF MARION
SUPPORT BRACKET TYPE SIDE ENTRY PIT DETAIL FOR
MOUNTABLE KERB AND OPTIONAL DEFLECTOR VANE DETAIL

Drawn : A.M.D	Date : 31 June 2007	Approved : <i>Paul Allen</i>	Last Revised : 25 Sept. 2007	Ref. No. : SD-09
---------------	---------------------	------------------------------	------------------------------	------------------