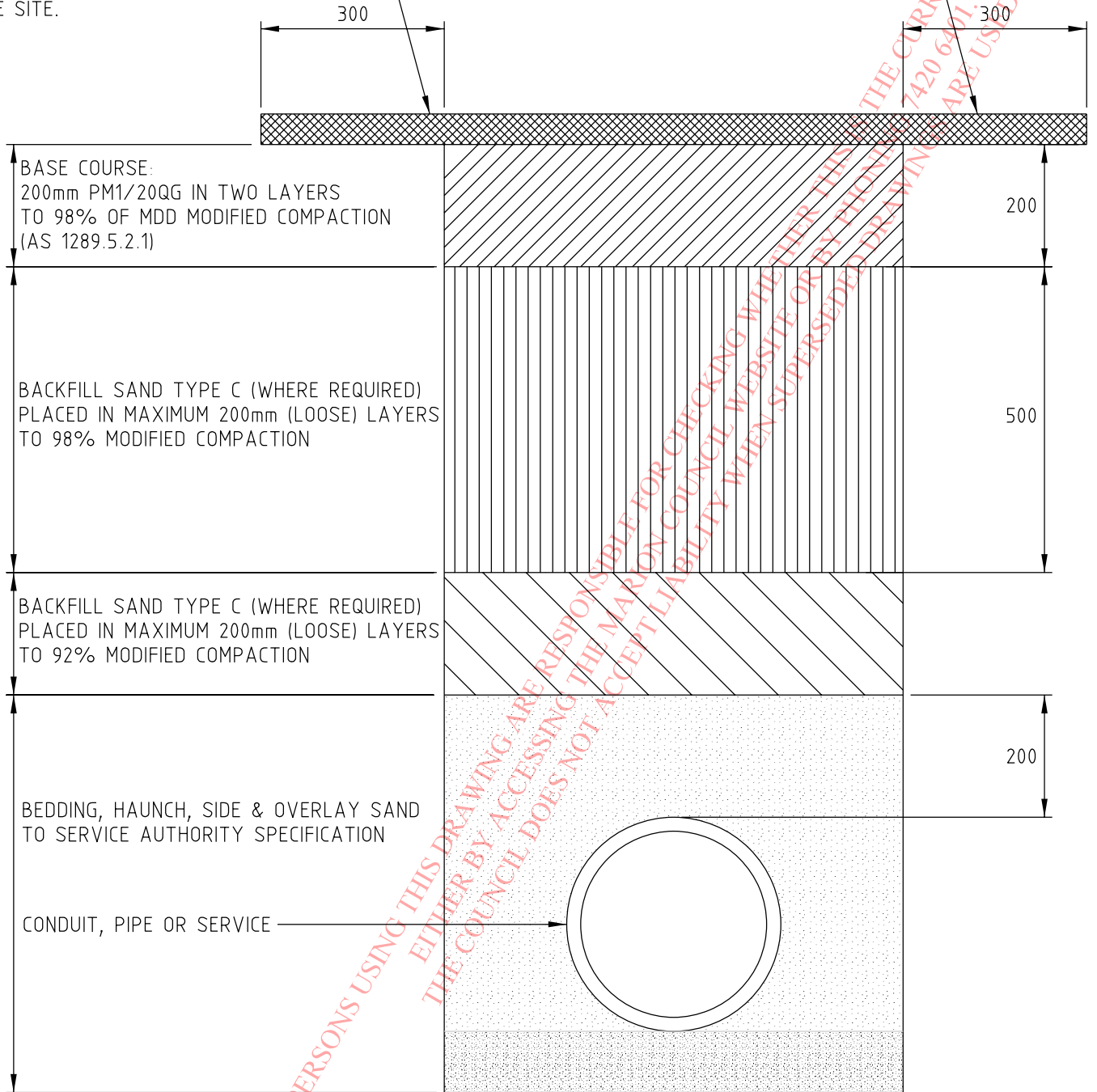


FOOTPATH SURFACE SHOULD BE REMOVED TO A MINIMUM OF 300mm BEYOND EACH SIDE OF THE TRENCH EXCAVATION IF RUNNING PERPENDICULAR.

FOOTPATH SURFACE TO BE RESTORED TO ITS ORIGINAL SURFACE AND STATE, WITH BEDDING SAND, AS PER SD-03 OR SD-04, WHICHEVER RELEVANT TO THE SITE.

IN CIRCUMSTANCES WHERE THE TRENCH RUNS PARALLEL TO A CONCRETE FOOTPATH, THE ENTIRE FOOTPATH MUST BE REMOVED FOR THE FULL LENGTH OF THE TRENCH.



Not to Scale

ALL DIMENSIONS ARE IN MILLIMETRES UNLESS OTHERWISE SHOWN.

## THE CORPORATION OF THE CITY OF MARION

### FOOTPATH RESTORATION BY OTHERS - COUNCIL REQUIREMENTS



Drawn : A.M.D

Date : 10 June 2008

Approved : .....

Last Revised : 10 June 2008

Ref. No. : SD-21