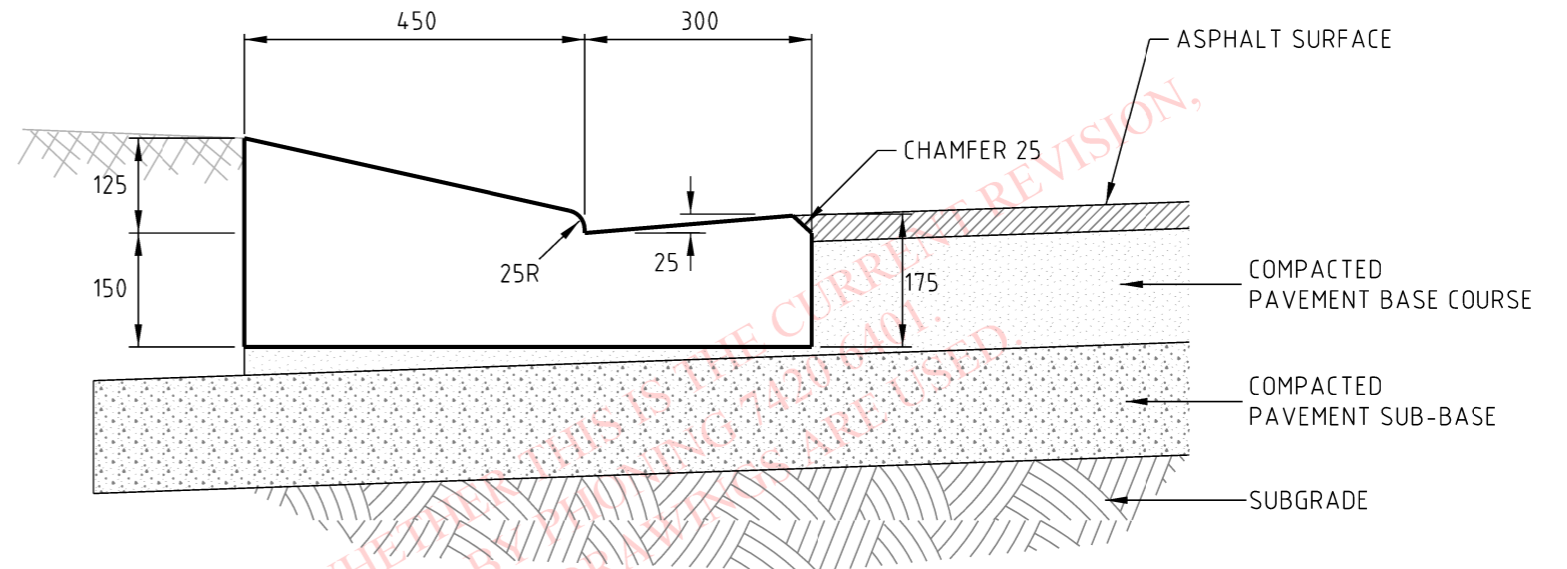
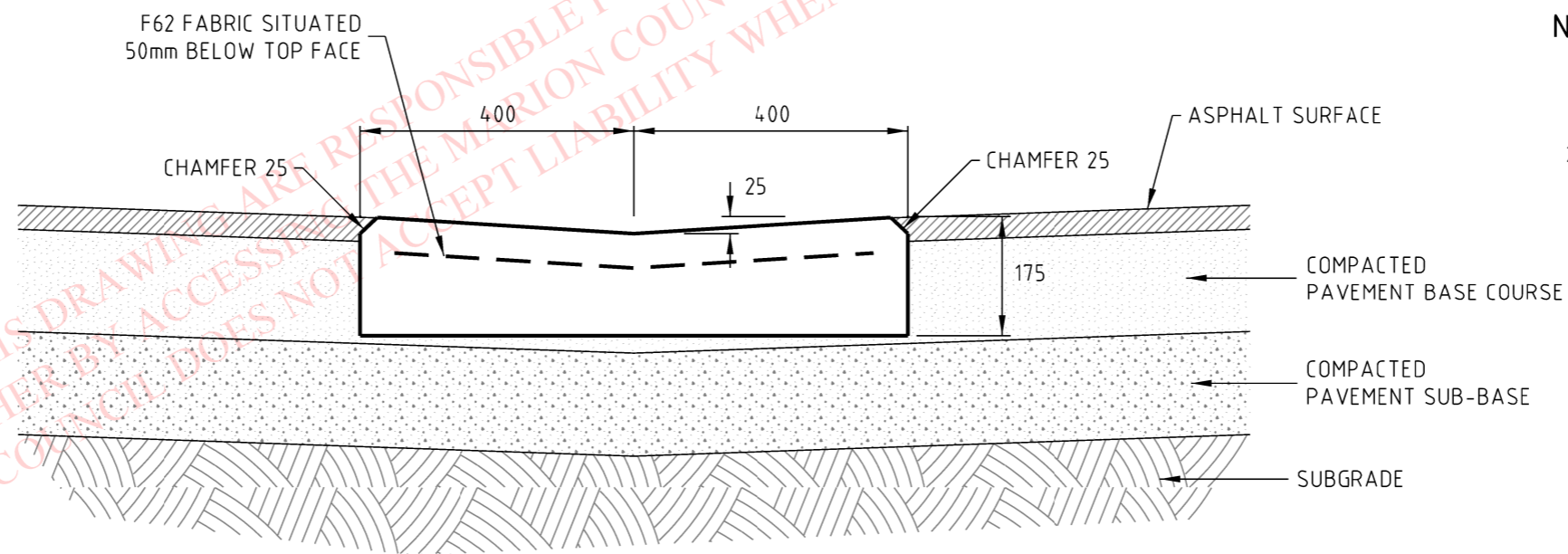


**BARRIER KERB & CHANNEL SECTION**  
Not to Scale



**TYPICAL DRIVEWAY INVERT SECTION**  
Not to Scale



**TYPICAL SPOON DRAIN SECTION**  
Not to Scale

**NOTES:**

1. CONCRETE TO BE 25 MPa. STRENGTH WITH 14mm AGGREGATE.
2. SHRINKAGE CONTROL JOINTS SHALL BE FORMED AT SPACINGS OF 2.5 - 3.0m.

ALL DIMENSIONS ARE IN MILLIMETRES UNLESS OTHERWISE SHOWN



**THE CORPORATION OF THE CITY OF MARION**

**STANDARD DETAILS FOR  
BARRIER KERB & CHANNEL, DRIVEWAY INVERT AND SPOON DRAIN**

Drawn : A.M.D

Date : 31 June 2007

Approved :

Last Revised : 1 February 2017

Ref. No. : SD-01