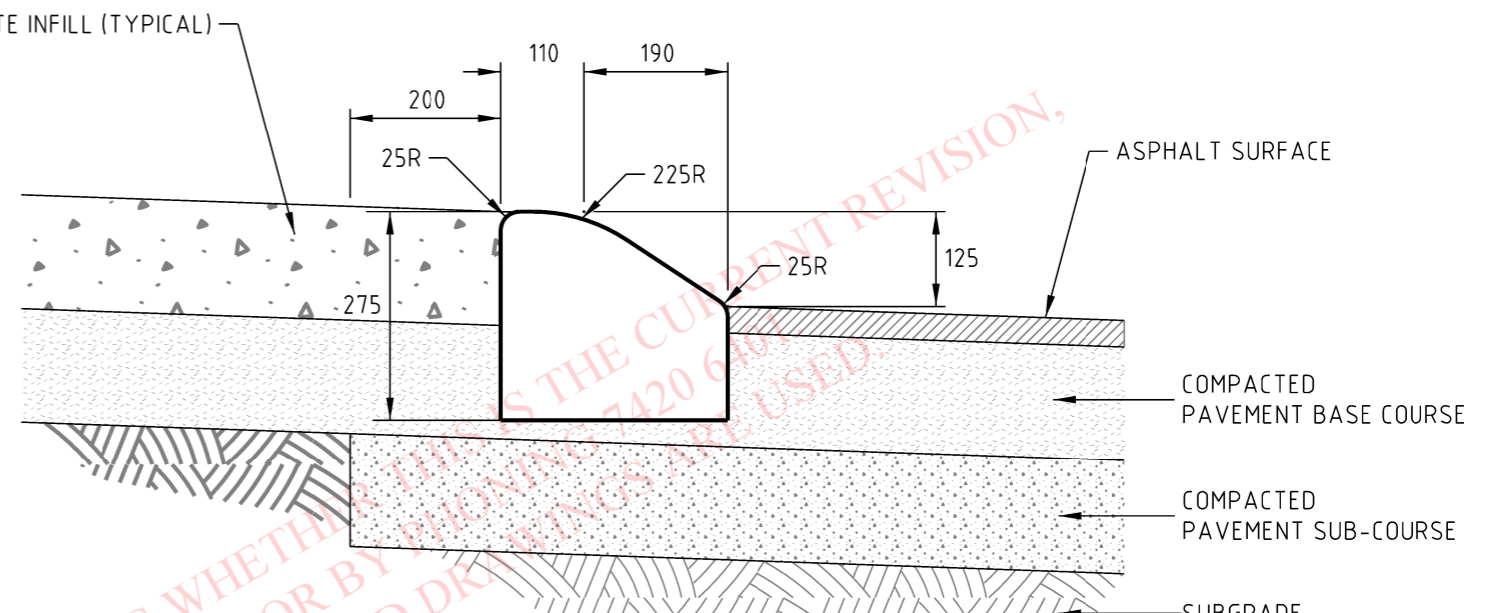


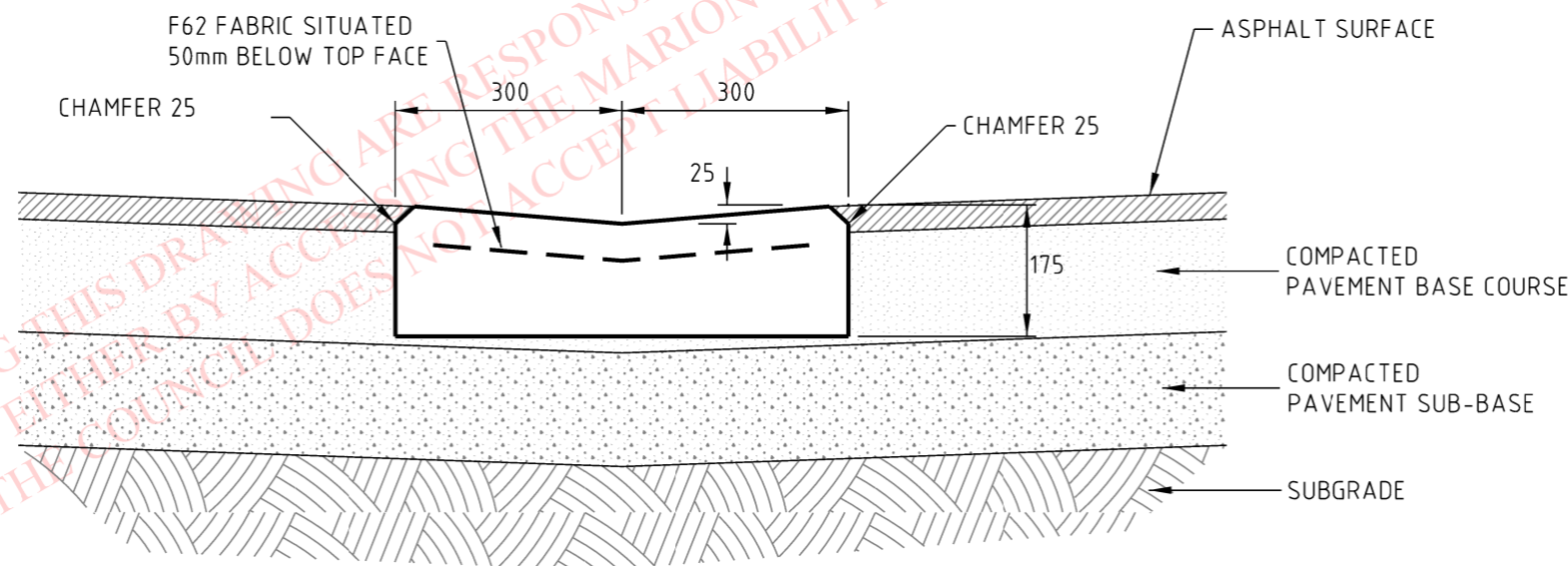
MOUNTABLE KERB & CHANNEL SECTION

Not to Scale



**RECESSED SEMI-MOUNTABLE KERB
FOR SPLITTER ISLANDS AND TRAFFIC ISLANDS**

Not to Scale



ALTERNATIVE NARROW SPOON DRAIN SECTION

Not to Scale

NOTES:

1. CONCRETE TO BE 25 MPa STRENGTH WITH 14mm AGGREGATE.
2. SHRINKAGE CONTROL JOINTS SHALL BE FORMED AT SPACINGS OF 2.5 - 3.0m.

ALL DIMENSIONS ARE IN MILLIMETRES UNLESS OTHERWISE SHOWN

THE CORPORATION OF THE CITY OF MARION

**STANDARD DETAILS FOR
MOUNTABLE KERB & CHANNEL, ALTERNATIVE SPOON DRAIN AND TRAFFIC ISLAND KERB**



Drawn : A.M.D

Date : 31 June 2007

Approved :

Last Revised : 1 February 2017

Ref. No. : SD-02