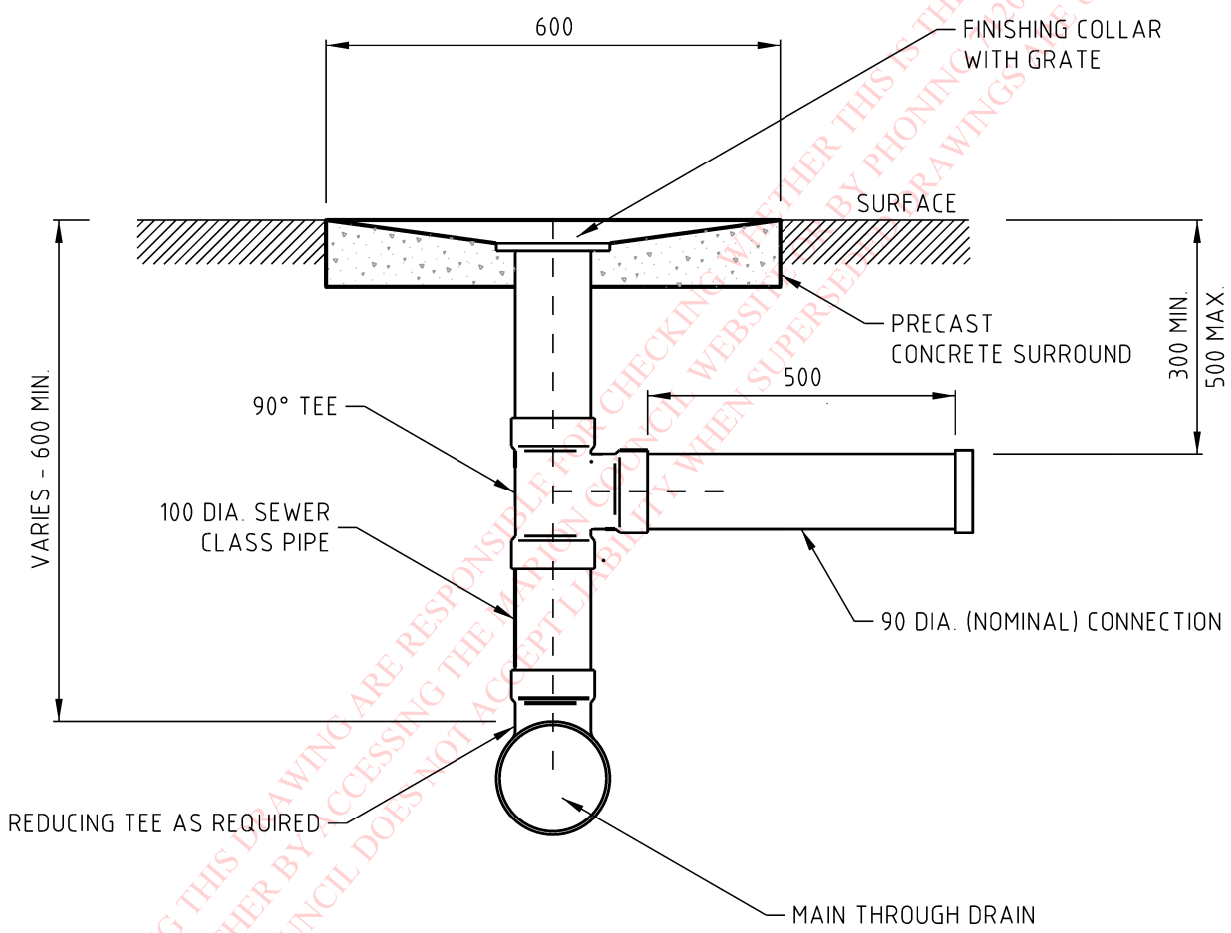


PERSONS USING THIS DRAWING ARE RESPONSIBLE FOR CHECKING WHETHER THIS IS THE CURRENT REVISION,  
 EITHER BY ACCESSING THE MARION COUNCIL WEBSITE OR BY PHONING 020 6401 6401.  
 THE COUNCIL DOES NOT ACCEPT LIABILITY WHEN SUPERSEDED DRAWINGS ARE USED.



Not to Scale

ALL DIMENSIONS ARE IN MILLIMETRES UNLESS OTHERWISE SHOWN

## THE CORPORATION OF THE CITY OF MARION

### ALLOTMENT CONNECTION FOR STORMWATER EASEMENT DRAIN

	Drawn : A.M.D	Date : 31 June 2007	Approved :
	Last Revised : 12 July 2018	Ref. No. : SD-12	