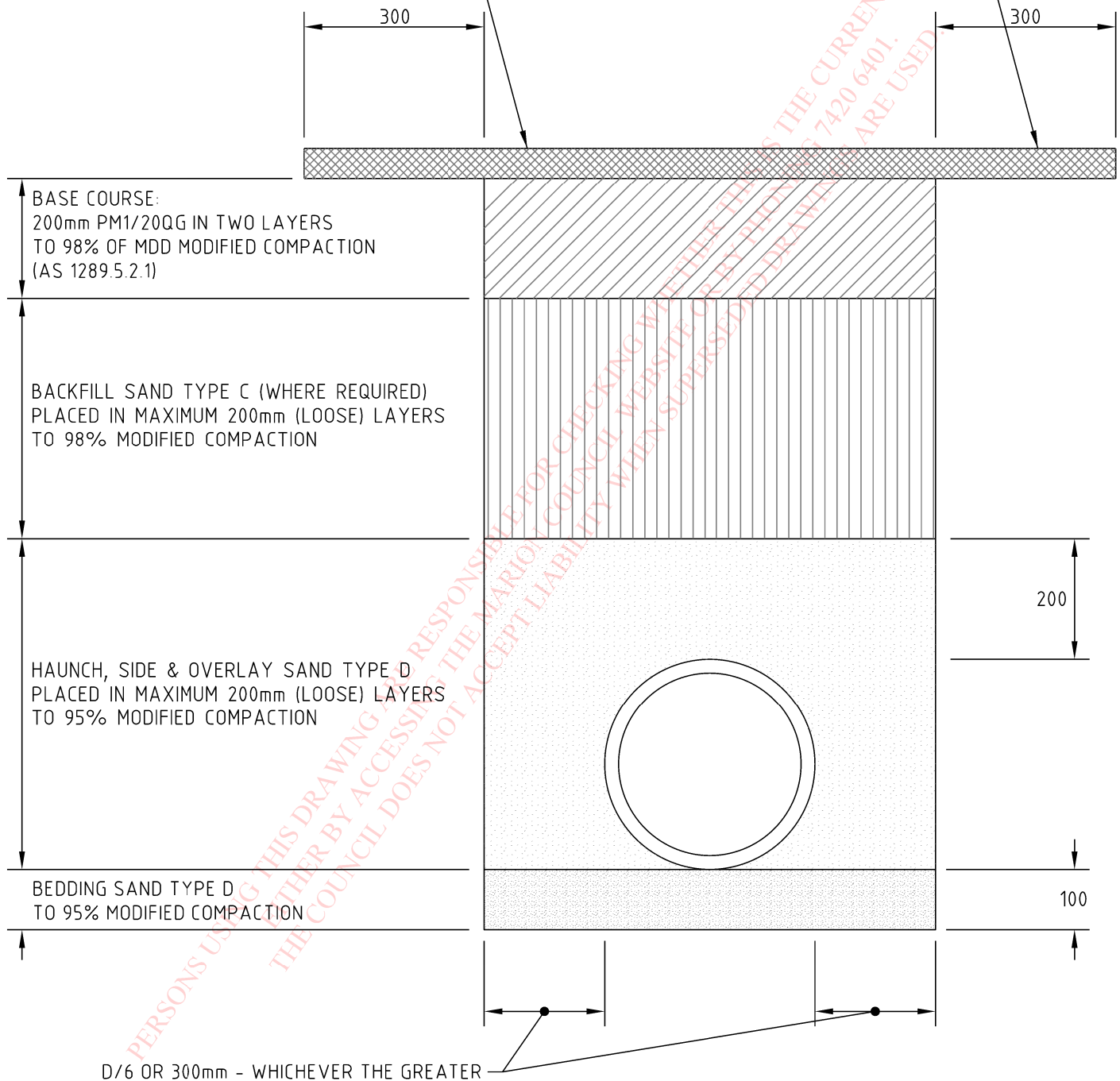


FOOTPATH SURFACE SHOULD BE REMOVED TO A MINIMUM OF 300mm BEYOND EACH SIDE OF THE TRENCH EXCAVATION IF RUNNING PERPENDICULAR.

FOOTPATH SURFACE TO BE RESTORED TO ITS ORIGINAL SURFACE AND STATE, WITH BEDDING SAND, AS PER SD-03 OR SD-04, WHICHEVER RELEVANT TO THE SITE.

IN CIRCUMSTANCES WHERE THE TRENCH RUNS PARALLEL TO A CONCRETE FOOTPATH, THE ENTIRE FOOTPATH MUST BE REMOVED FOR THE FULL LENGTH OF THE TRENCH.



Not to Scale

ALL DIMENSIONS ARE IN MILLIMETRES UNLESS OTHERWISE SHOWN.

THE CORPORATION OF THE CITY OF MARION

STORMWATER TRENCH REINSTATEMENT IN FOOTPATHS



Drawn : A.M.D

Date : 17 Sept. 2007

Approved :

Last Revised : 16 November 2018

Ref. No. : SD-18