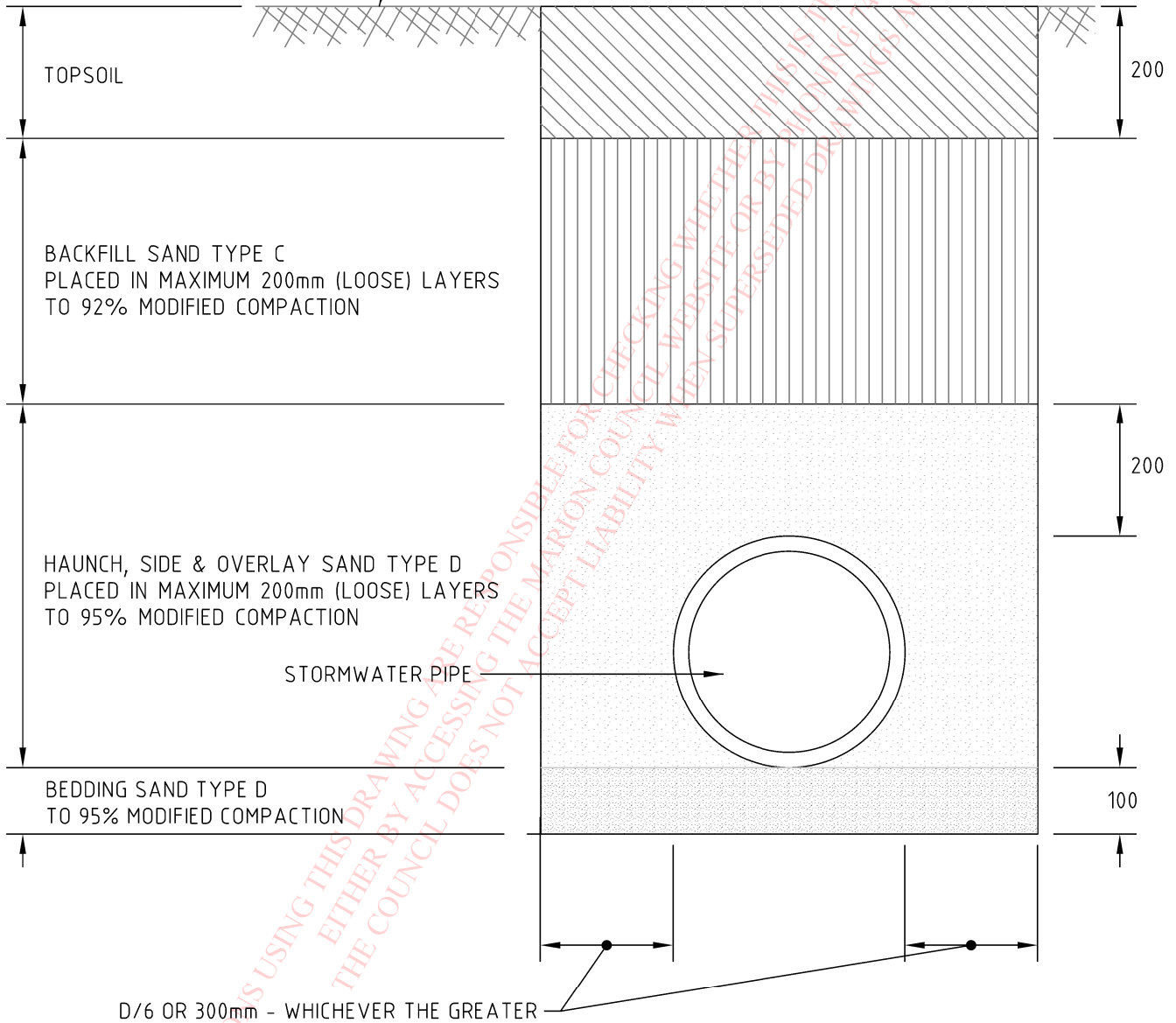


EXISTING GROUND SURFACE LEVEL



Not to Scale

ALL DIMENSIONS ARE IN MILLIMETRES UNLESS OTHERWISE SHOWN.

# THE CORPORATION OF THE CITY OF MARION

## STORMWATER TRENCH REINSTATEMENT IN RESERVES



Drawn : A.M.D

Date : 17 Sept. 2007

Approved :

Last Revised : 16 November 2018

Ref. No. :

SD-19