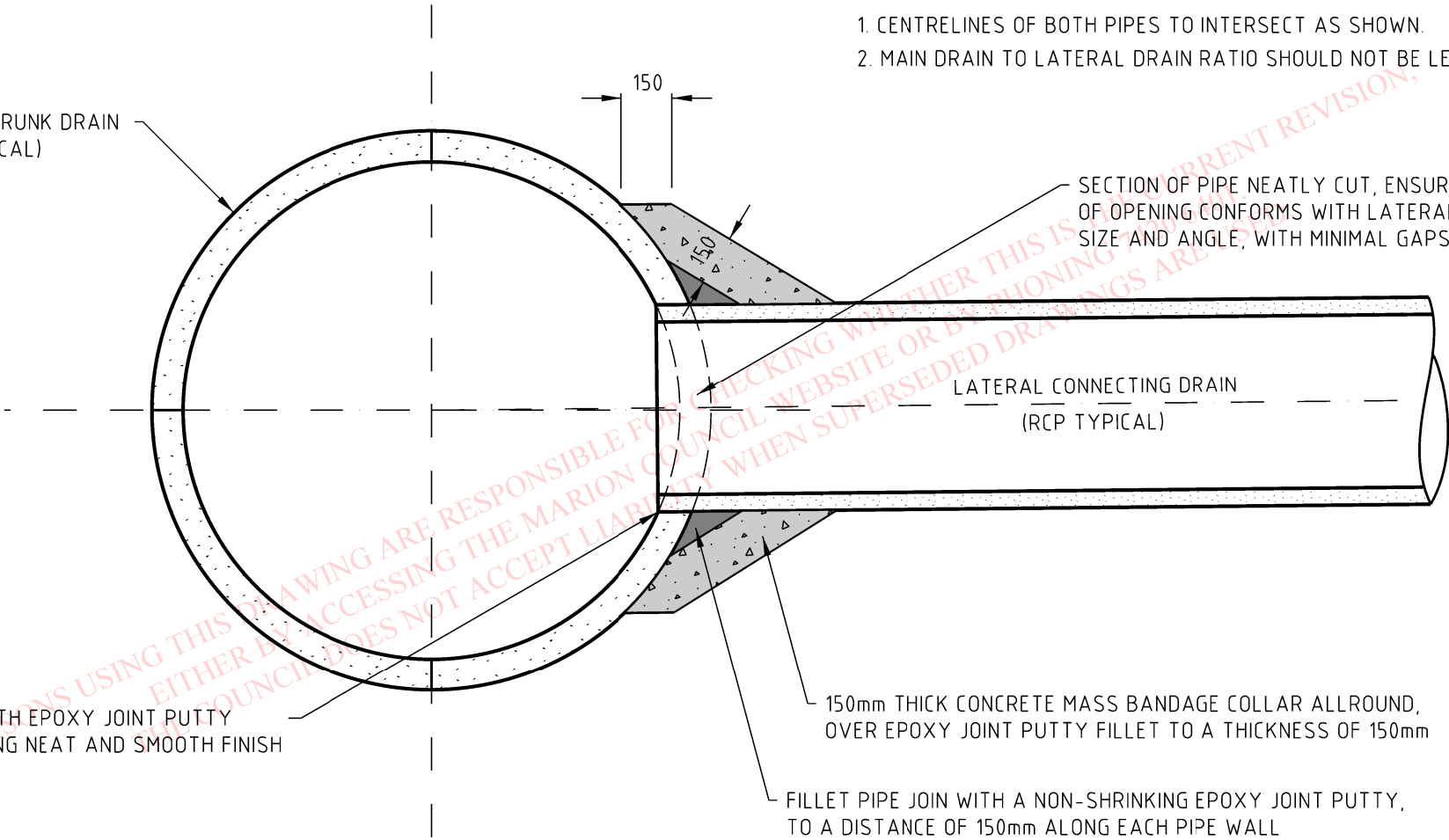


**NOTES:**

- 1. CENTRELINES OF BOTH PIPES TO INTERSECT AS SHOWN.
- 2. MAIN DRAIN TO LATERAL DRAIN RATIO SHOULD NOT BE LESS THAN 3:1.

MAIN OR TRUNK DRAIN  
(RCP TYPICAL)



SECTION OF PIPE NEATLY CUT, ENSURING SHAPE OF OPENING CONFORMS WITH LATERAL DRAIN SIZE AND ANGLE, WITH MINIMAL GAPS

LATERAL CONNECTING DRAIN  
(RCP TYPICAL)

SEAL WITH EPOXY JOINT PUTTY  
PROVIDING NEAT AND SMOOTH FINISH

150mm THICK CONCRETE MASS BANDAGE COLLAR ALLROUND,  
OVER EPOXY JOINT PUTTY FILLET TO A THICKNESS OF 150mm

FILLET PIPE JOIN WITH A NON-SHRINKING EPOXY JOINT PUTTY,  
TO A DISTANCE OF 150mm ALONG EACH PIPE WALL

ALL DIMENSIONS ARE IN MILLIMETRES UNLESS OTHERWISE SHOWN.



**THE CORPORATION OF THE CITY OF MARION**

**CONCRETE STORMWATER PIPE CONNECTION - BANDAGE JOINT DETAIL**

Drawn : A.M.D

Date : 15 Sept. 2016

Approved :

Last Revised : 15 Sept. 2016

Ref. No. : SD-23